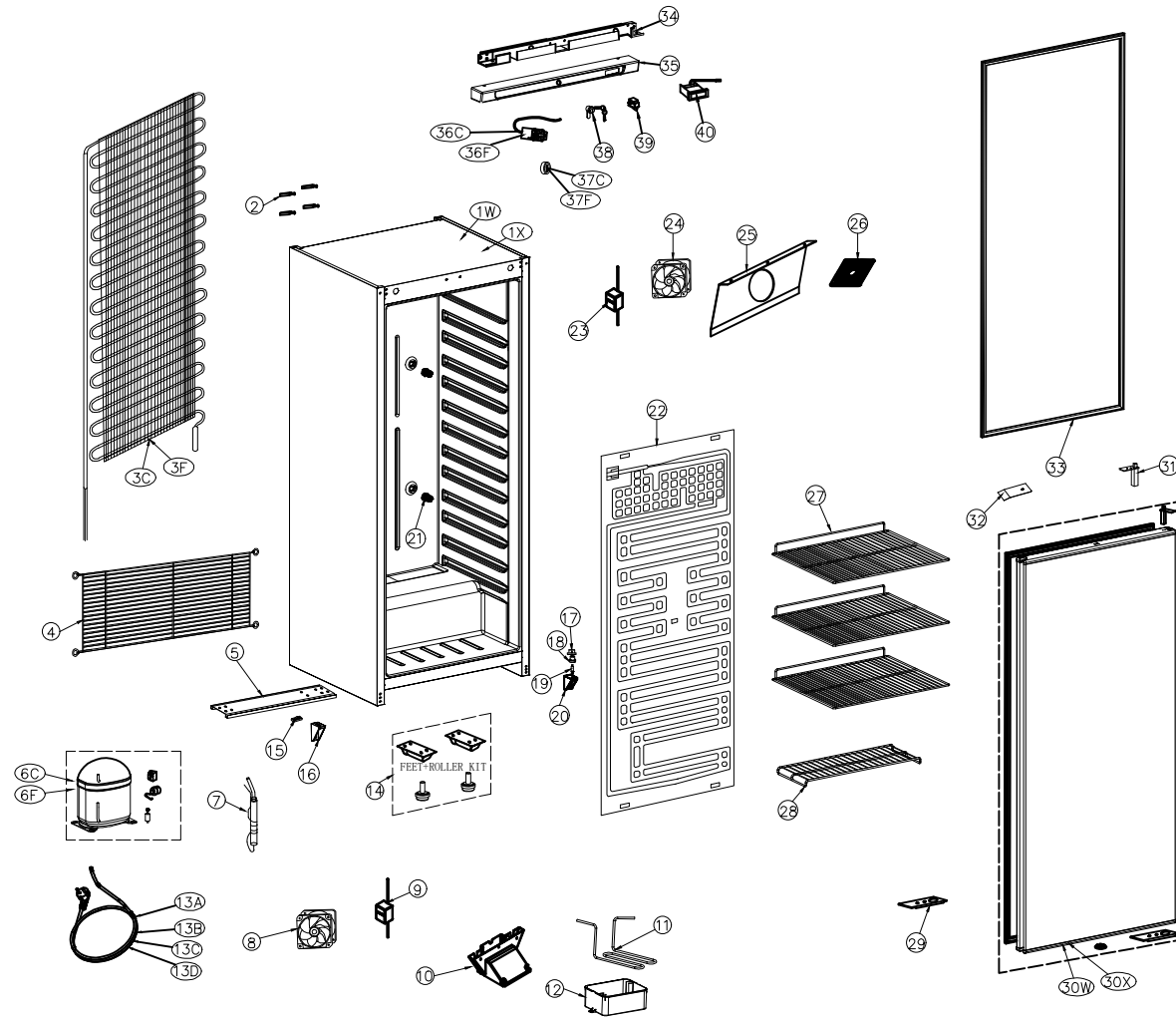
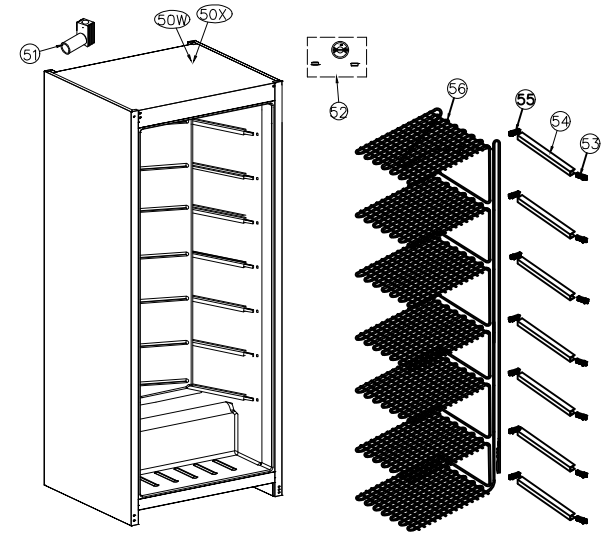


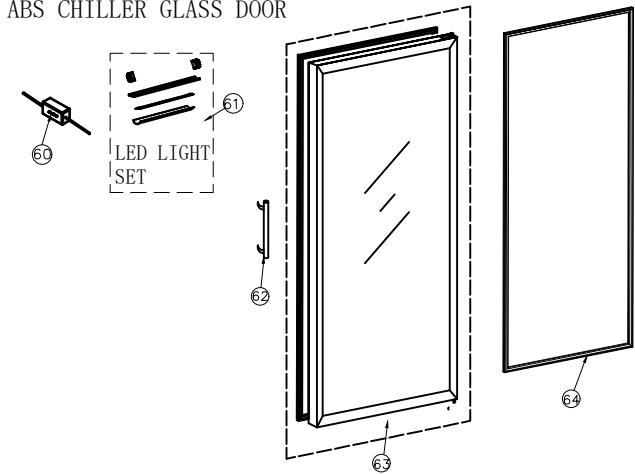
ABS CHILLER SOLID DOOR




ABS FREEZER



ABS CHILLER GLASS DOOR



Legenda:
 W=White Range
 X=S/S Range
 C=Chiller
 F=Freezer

DATE:2020/05/09	VERSION:A1	Unify all 400/600 Range		DESIGN BY: Alberto	
DATE:2019/08/27	VERSION:A0	DESCRIPTION		DESIGN BY:	
		SCALE	MODEL	Q. TY	REMARKS:
		1:1	Ux400 Ser. Ux600 Ser.		
MATERIAL:S4		UR/URX/UF/UFX/URG/URXG 400-600			
DESIGN BY:Jessie		EXPLODED VIEW			
APPROVED BY:Alberto		CATEGORY	TYPE	GROUP	PART N°
DATE:2017/05/03		EV	1CB0	A1	1200

Item Descr	UR 400	
BOM Num	1	
Build Quan	1	
Fixed Cost	0	
Remark		
Unit	pc	
BOM Components		
Lev. 0	Item Number	Descr
	EV1CB0A11200	UR/UF 400-600 Lt Ser. - EXPLODED VIEW DRAW.(Ver.A1 - S12)
1W	S41AR00A0001	CR 4-STELL PAINTED FOAMED ASSEMBLY BODY (White Color - S12)
1X	S51AR20A0001	CRX 4-STAINLESS STELL FOAMED ASSEMBLY BODY (S/S Color-S12)
2	P01AQ28A0002	CR/CN 2-4-6 Series - REAR CONDENSER SPACER - (S12)
3C	I01AR08A0001	CR/CRX/CN/CNX 4 - WIRE CONDENSER - (S12)
4	I01AR09A0003	CR/CN 4 Series - REAR ENGINE ROOM GRID (Black Color-S12)
5	Z01AR03A0004	CR/CN 4 - REAR ENGINE PLATE (Roller/Castor/ S/S Feet -S12)
6C	E27B6F2D0000	EKZ80L COMP. DONPER R600a-220/240V 50Hz-1/5 HP RSCR:
6F	E27B2I3D0000	LK68CU1 COMP.DONPER R290-220/240V 50Hz-5/16 HP CSIR:
7	C01AE66A0001	400-600 ABS Ser./CR Salad./CR-CN 7/14 Ser-DRIER FILTER (S12)
8	E17I1A027000	RDM1225B:12Vdc,0,23A, 2,76W - Wire Lenght 300mm
9	E26B20120031	AC/DC ADAPTER MOD.HYD-1200300EU - (Male Connector)
10	P01AR63A0002	CR/CN 6 - CR/CN4 - ABS CONDENSER FAN CONVEYOUR (Gray - S12)
11	C01AR06A0001	CR 4/CRX 4 - CONNECTING PIPE - (S12)
12	P01AE63A0004	RC 600/RC 400/Saladette CR Series/BBC 386 - WATER TRAY-(S12)
13A	E25EUG307525	POWER CORD 3x0.75 mmq - EU PLUG - GRAY COLOR 2,5 Mt.
13B	E25EUK307525	POWER CORD 3x0,75 mmq - UK PLUG - BLACK COLOR 2.5 Mt
13C	E25AUB307525	POWER CORD 3x0,75 mmq - AUSTRALIAN PLUG - BLACK COLOR 2,5 Mt
13D	E25INB307525	POWER CORD 3x0,75 mmq - INDIA PLUG - BLACK COLOR 2.5 Mt
14	KITFT1AE6A00	RC/RN 600-CR/CRX 4-FEET andROLLERS KIT(N.2 FOOT+N.2 ROLLERS)
15	N01AE62A0007	RC 400/600-RN 400/600 - DOOR PULLEY ON LEFT BOTTOM HINGE
16	A01AE62A0003	RC 400/600-RN 400/600 - BOTTOM LEFT HINGE (Aluminium Color)
17	N01AE62A0009	RC/RN 400/600-CR/CN 7-14 - NYLON UP SLIP COVER (White-S12)
18	Z01AE62A0012	RC/RN 400/600-CR/CN 7-14 - DOWN TURN AXIS - (S12)
19	Z01AE62A0005	RC/RN 400/600-CR/CN 7-14-PIVOT BOTTOM/UPPER RIGHT HINGE-(S12)
20	A01AE62A0004	RC 400/600-RN 400/600 - BOTTOM RIGHT HINGE(Aluminium Color)
21	P01AE60A0006	RC 600/RC 400 - SUPPORT FOR ROLL BOND EVAPORATOR
22	A01AR07A0001	CR/CRX 4 - ROLL BOND EVAPORATOR+CAPILLARY (White Color-S12)
23	E26B20120031	AC/DC ADAPTER MOD.HYD-1200300EU - (Male Connector)
24	E17I1A013000	RDM8025B:12Vdc,0,11A,1,32W-Wire Lenght 300mm
25	S41AR00A0003	CR/CRX 4 - EVAPORATOR FAN (Axial) SUPPORT (White color-S12)
26	P01AZ67A0003	RC/RCG xxxMED Series -EVAPORATOR FAN SAFETY GRID - (S12)
27	I01AR29A0001	CR/CRX 4-UPPER/MIDDLE SHELF (Dim.486*410 mm-GAP 10mm)-S12
28	I01AR29A0002	CR/CRX 4 - BOTTOM SHELF (Dim.502*200 mm-GAP 20mm)-S12
29	S41AE02A0007	RC/RN 400/600 -BOTTOM TURN AXIS REINFORC.(New self clos.S12)
30W	S41AE02A0006	RC/RN 400 -DOOR (Gasket+ NEW Self Clos.+Cap) - GRAY Col.
30X	S51AE22A0005	RCX/RNX 400 -DOOR (Gasket+ NEW Self Clos.+Cap) - GRAY Col.
31	Z01AE62A0006	ABS 400/600 - CR/QR/CN/QN 7-14-SELF CLOSING SPRING-(S12)
32	P01AD22A0010	RC/RN/CR/CN ABS Series - UPPER SWITCH STOPPER - (S12)

33	R01AE02A0005	RC 400/RN 400 - DOOR GASKET (New design)
34	Z01AE01A0011	RC 400/RN 400-UPPER PANEL HOLDER (New self closing - S12)
35	P01AE01A0002	RC/RN 400-TOP PANEL GREY COLOR(CHI DESIGN:DOOR SW+BUZZER)
36C	E20A001C1R10	WPF1.5E THERMOSTAT (R600a - ABS Range)
36F	E20A001F0W07	WPF 24-150 - SERIES WPF THERMOSTAT
37C	P01CA61A0002	UR Ser. - FLAT THERMOSTAT KNOB + ROUND STICKER (Chiller-S12)
37F	P01CA81A0002	UF Ser. - FLAT THERMOSTAT KNOB + ROUND STICKER (Freezer-S12)
38	Z01AE61A0014	RC 400/600-RN 400/600-LOCK+N.2 KEY(Door whit steel prof.)
39	E2309WH00002	HF-D02-1A-2B DOOR SWITCH (2P) 250VAC-4A; CONTACT NO
40	E28C71295015	DIGITAL THERMOM.-Dim.71X29-RANGE -50~+150C°-SF:SF-100P
50W	S41AR40A0001	CN 4-STELL PAINTED FOAMED ASSEMBLY BODY (White Color - S12)
50X	S51AR50A0001	CNX 4 - STAINLESS STELL FOAMED ASSEMBLY BODY (S/S Color-S12)
51	A01AR40A0002	CN/CNX 4 - PRESSURE BALANCE VALVE - (S12)
52	P01AR40A0004	CN/CNX 4-PRESS.BALANCE VALVE HOLDER+UPPER/BOTTOM COVER-(S12)
53	P01AF07A0004	RN 600/RN 400 - LEFT SUPPORT FOR SHELVES EVAPORATOR
54	A01AE47A0002	RN 400 - FRONTAL EVAPORATOR STRIPES
55	P01AF07A0003	RN 600/RN 400 - RIGHT SUPPORT FOR SHELVES EVAPORATOR
56	I01AR47A0001	CN/CNX 4 - SHELVES EVAPORATOR (White Color - 425x412mm)
60	E26I30121200	OUTPUT SUPPLY MW TYPE:APV-12-12; 12W (led light)
61	E22AL0031020	LED STRIPES LAMP SET - 12VDC 1,2W-N°21 HIGH BRIGHT
62	S21AZ72A0007	CRG 4/6 - RCG MED - S/S CYLINDRIC HANDLE (Glass door-S12)
63	A01AE12A0001	RCG/RCXG 400-DOOR(Gasket+Cyndric HandleCap+Down Axis)Alum.
64	R01AE12A0002	RCG 400/RCXG 400 - DOOR GASKET

